

New: PCCXS Series Component Cleanliness Cabinet

The PCCXS Cleanliness Cabinet is the latest self-contained cleanliness cabinet from Pall, delivering the best practices in extracting particulate contamination from a component and retaining it on a test membrane for analysis.

The PCCXS series has been designed to assess cleanliness levels of small parts and components. It is the smallest unit of the PCC platform introduced by Pall.

Without standard, repeatable cleanliness validation, manufacturers and suppliers cannot meet industrial ISO standards.

Benefits include:

- Provides an automated, repeatable process for checking parts cleanliness
- Rapid to blank value* to start test sampling quickly
- Risk of human error minimized
- A fully HEPA filtered laminar air flow eliminates environmental cross-contamination
- Test sample created is true representation of part contamination
- Standard lab-friendly sized units to assess small components in accordance with ISO 18413, ISO16232 and VDA 19 procedures.

** relative value of cleanliness achieved over time, as specified by the customer*

Features

- Laminar air flow with 0.3 μm HEPA filter providing a controlled cleanliness environment (Class 5 per ISO 14644-1)
- Easy to use, color touch screen human-machine interface using a tablet
- Full work area access for service operation
- Pressurized solvent dispensing and recycling circuits
- Solvent vapor extracted by exhaust fan
- Requires only a power source and exhaust vent

User friendly, color touch screen control panel using a HMI



PCCXS Series component cleanliness cabinet



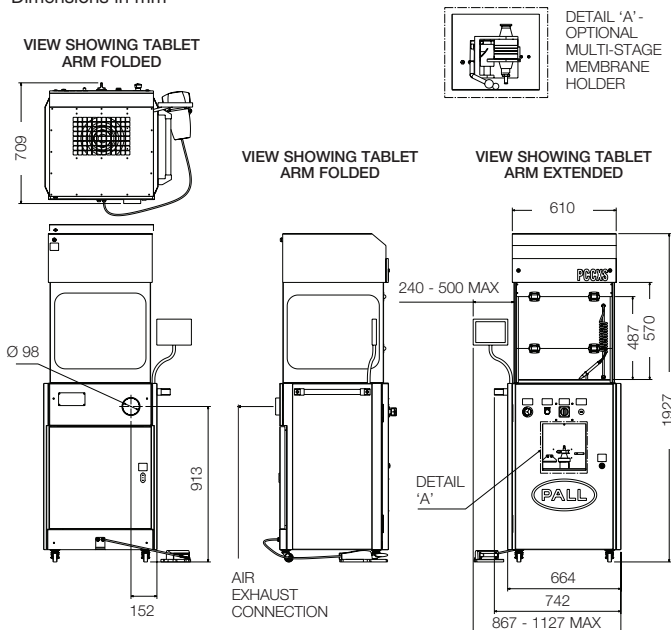
Technical information

Overall Dimensions:	864 x 709 x 1927 mm (W x D x H)
Working area:	600 x 600 x 500 mm (W x D x H)
Sink:	300 mm diameter
Weight:	175 kg (385 lb) approx
Materials:	Working area: Sink: Polished stainless steel 304L Enclosure: Acrylic
Power supply:	230 V – 50 Hz, single phase
PLC:	Proface
Power consumption:	1.3 kW (without ultrasonics)
Reservoir (solvent):	13 L max (3.4 USg)
Rinsing flow rate:	5 L/min max. (Adjustable) (1.3 USgpm) Solvent pen adjustable
Rinsing pressure:	2.8 bar max (41 psi)

The PCCXS series cabinets comply with the European Machinery Directive 2006/42/EC, Low voltage 2006/95/CE and Electromagnetic compatibility 2004/108/CE and is fully CE compliant.

Dimensional Drawings

Dimensions in mm



Ordering information

Pall Cleanliness Cabinet: PCCXS 1 2 3

Table 1: Voltage Option

Code	Description
1	110V / 50 & 60Hz, single phase
2	230V / 50 & 60 Hz, single phase

Table 2: Membrane Option

Code	Description
S	Single stage membrane holder
M	3 membrane multi-stage holder

Table 3: Ultrasonic Option

Code	Description
OMIT	No Ultrasonic transducer
US 100	100W Ultrasonic agitation power

Accessories

Code	Description
PCCXSV2A62	Bowl for ultrasonic analysis (perforated bowl including mounting plate to be used during ultrasonic operation to hold test components)
PCCXSV2D60	Analysis mounting plate (perforated PEHD plate to hold test component during nozzle spraying)
PCCXSV2D4	Splashback guard (guard to avoid splashes during nozzle washing)
GHA0787OEM	Cascade of 3 membranes

Analysis Membranes for Component Cleanliness Assessments

- Ratings from 5 µm to 100 µm
 - Materials: Polyamide
- see product datasheet M&EPCCMEMENa



Pall Industrial Manufacturing

25 Harbor Park Drive
Port Washington, NY 11050
+1 516 484 3600 telephone
+1 800 289 7255 toll free US

Portsmouth - UK
+44 (0)23 9233 8000 telephone
+44 (0)23 9233 8811 fax
industrialeu@pall.com

Filtration. Separation. Solution.SM



Visit us on the Web at www.pall.com

Pall Corporation has offices and plants throughout the world. For Pall representatives in your area, please go to www.pall.com/contact

Because of technological developments related to the products, systems, and/or services described herein, the data and procedures are subject to change without notice. Please consult your Pall representative or visit www.pall.com to verify that this information remains valid.

© Copyright 2018, Pall Corporation. Pall and are trademarks of Pall Corporation. ® Indicates a trademark registered in the USA. Better Lives. Better Planet and Filtration. Separation. Solution.SM are service marks of Pall Corporation.